

- 20) You must lock the gate whenever the pool is not in use or under adult supervision.
- 21) Now you can install your "A" frame ladder or ground to deck ladder.
- 22) Check your gate and all safety devices on a regular basis (weekly) to make sure that they are operating properly.

WARNING:

You must maintain a 4' high barrier around your pool to prevent children from getting unsupervised access to the pool. The 4' tall pool wall and ladder enclosure will provide this barrier. If your pool is backfilled, has struts (oval pools) or any structure close to it, it IS necessary to mount a safety

fence on the pool, or a put fence all the way around the pool in order to maintain a 4' tall barrier to entry. Keep the pool area clean and clear of any toys, chairs, tables, or any climbable objects that would enable a child to get into the pool.

IMPORTANT NOTICE! READ BEFORE INSTALLATION!

ATTENTION POOL OWNERS & INSTALLERS:

ENCLOSED:



3 Signs:

- 1 for placement on outside wall next to entry to pool.
- 2 for equal placement so sign is visible from all possible entrances to pool. If more are required, write for additional signs.

2 Labels for liner placement
(1 additional label already affixed to top rail)

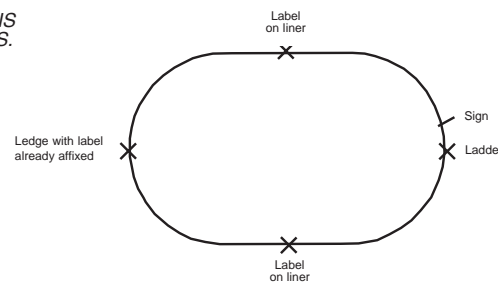
These warnings are not to be removed under any circumstances! If they become discolored or fall off, please request replacements which will be sent at no charge.

NOTICE TO POOL OWNERS & INSTALLERS:

**-PRACTICE POOL SAFETY-
THESE LABELS AND YOUR COOPERATION MAY SAVE A LIFE!**

Also, failure to mount these Safety Labels as advised in above instructions may subject you to substantial personal liability in case of injury.

LABEL LOCATIONS FOR OVAL POOLS.



PUT OTHER 2 SIGNS SO THEY ARE VISIBLE FROM ALL POSSIBLE ENTRANCES.



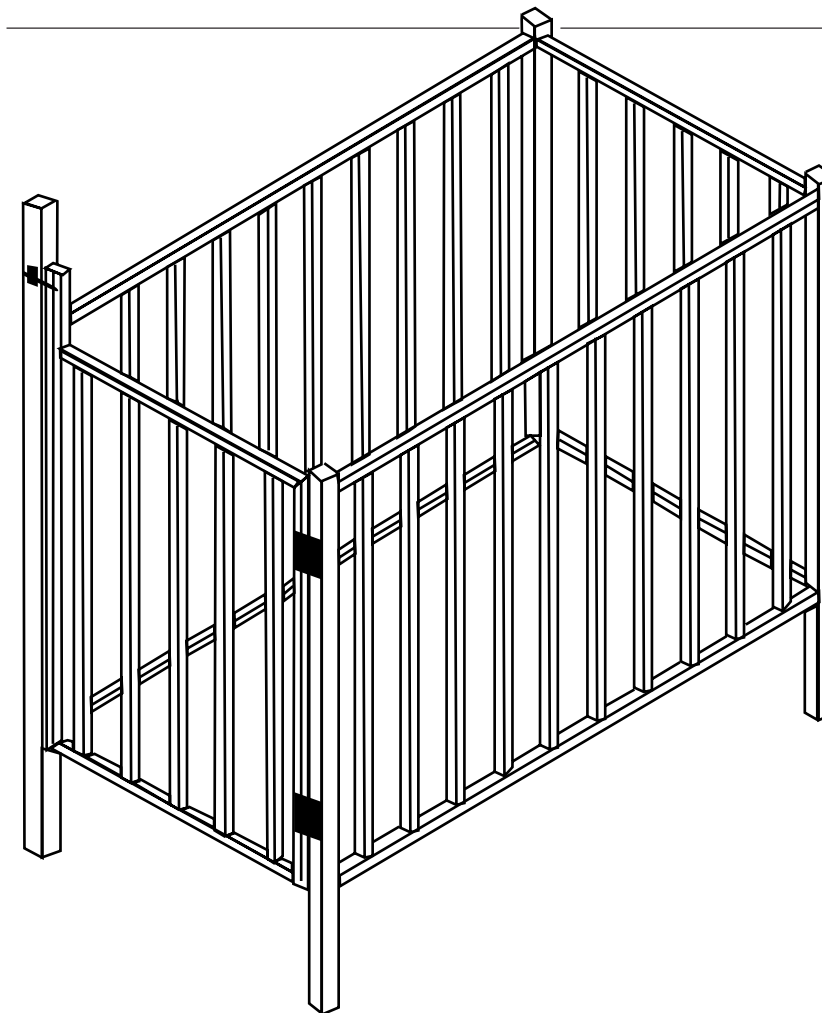
ABOVE GROUND

SWIMMING POOL LADDER

ENCLOSURE FENCE KIT FOR

"A" FRAME LADDERS AND

GROUND TO DECK LADDERS



Installation Instructions

Parts List

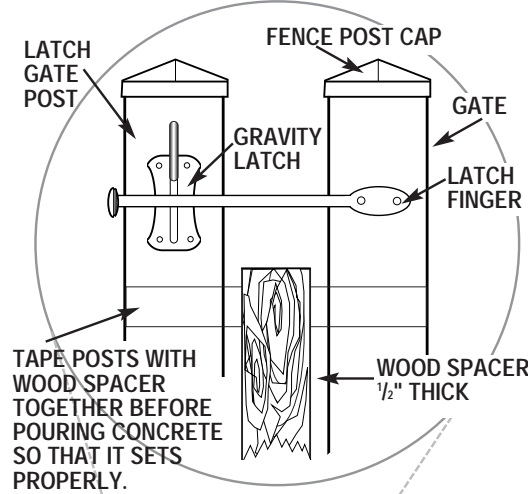
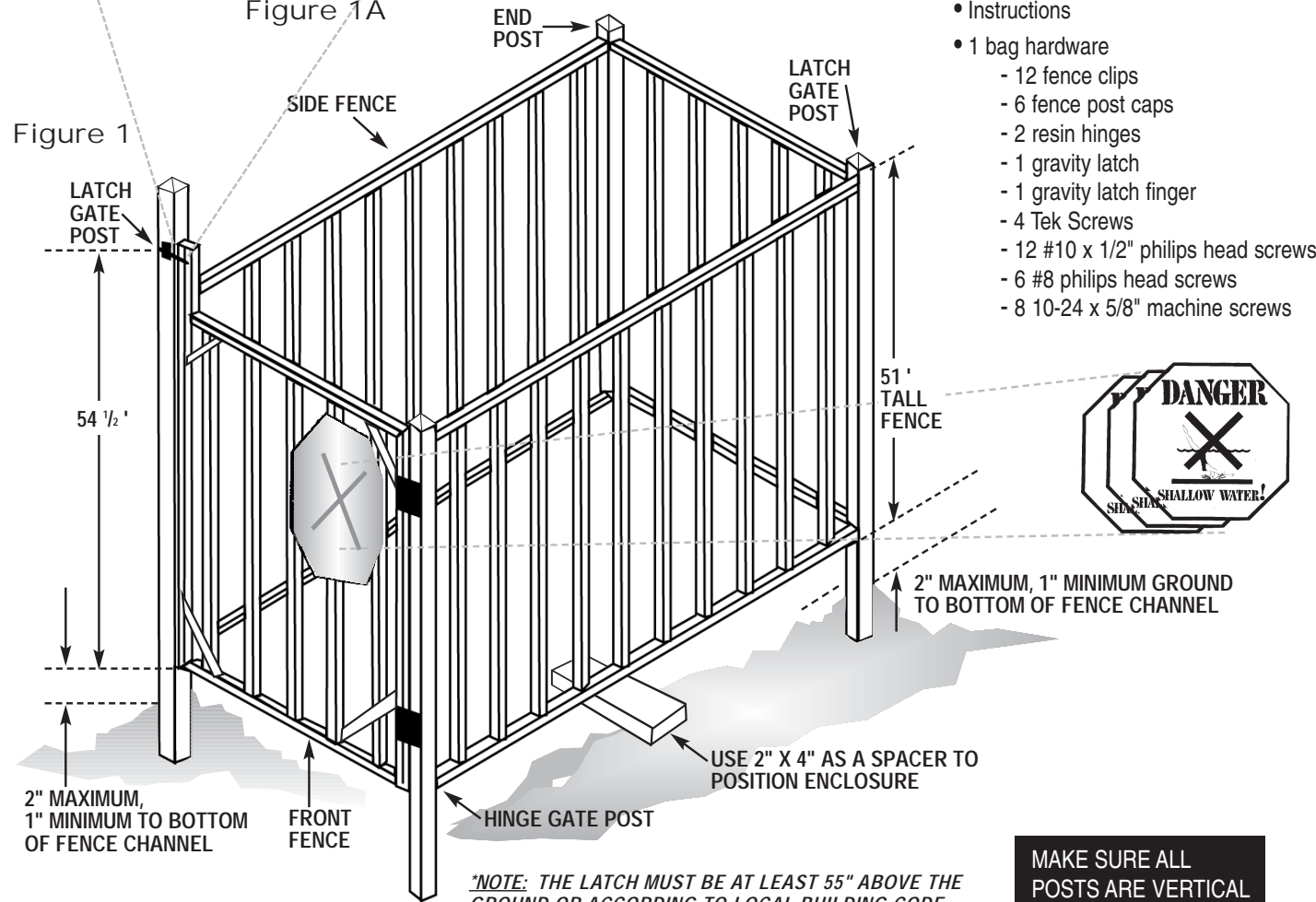


Figure 1A



2) READ ALL THE WAY THROUGH THESE DIRECTIONS AT LEAST ONCE BEFORE YOU COME BACK TO STEP #4 TO BEGIN INSTALLATION.

3) Do not install (if already installed, remove) your "A" frame safety ladder or ground to deck ladder until you have completed installing your ladder enclosure.

**NOTE: THE LATCH MUST BE AT LEAST 55" ABOVE THE GROUND OR ACCORDING TO LOCAL BUILDING CODE.*

MAKE SURE ALL POSTS ARE VERTICAL AND ALL FENCE SECTIONS ARE SQUARE BEFORE AND AFTER POURING CONCRETE.

1) The following is a list of all the parts. Please open all of your cartons and make sure you have all of the parts listed. If you do not have all of the parts listed below, STOP! Contact the dealer where you purchased this enclosure, and advise them about what is missing. Without all of the parts needed to construct this enclosure it cannot function properly and safely.

- Carton #1
 - 2 fence sections 66" long x 51" tall (sides)
 - 1 fence section 41" long x 46 1/2" tall (rear)
 - 1 gate section 39 3/4" long x 50 3/4" tall (front)
 - Placard sign
- Carton #2
 - 1 post 2" square 73" long (front, where gate latch will attach)
 - 2 posts 1 1/2" square 70" long (rear corners, with extra slots)
 - 1 post 2" square 70" long (front, where gate hinge will attach)
 - Instructions
 - 1 bag hardware
 - 12 fence clips
 - 6 fence post caps
 - 2 resin hinges
 - 1 gravity latch
 - 1 gravity latch finger
 - 4 Tek Screws
 - 12 #10 x 1/2" philips head screws
 - 6 #8 philips head screws
 - 8 10-24 x 5/8" machine screws

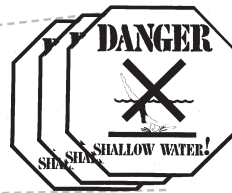
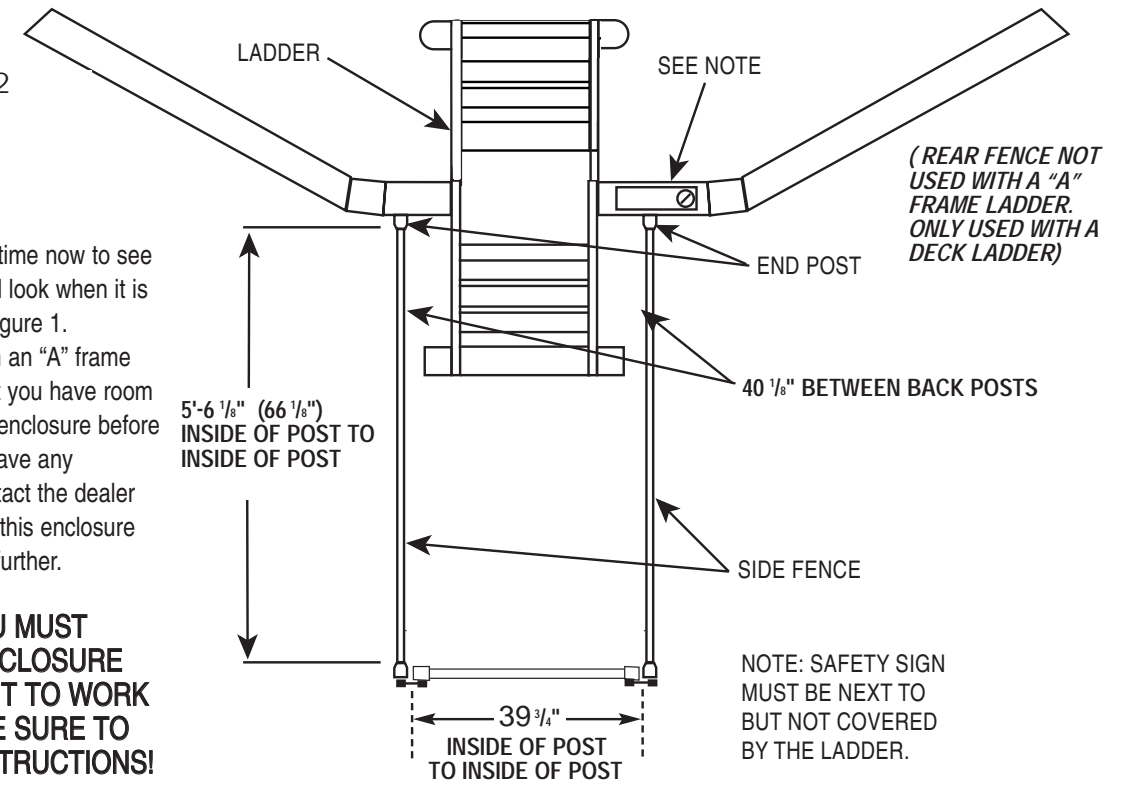


Figure 2



4) Please take some time now to see how this enclosure will look when it is finished as shown in figure 1. Figure 2 is shown with an "A" frame ladder. Make sure that you have room to properly install this enclosure before you proceed. If you have any questions, please contact the dealer where you purchased this enclosure BEFORE you go any further.

!! WARNING!! YOU MUST INSTALL THIS ENCLOSURE PROPERLY FOR IT TO WORK EFFECTIVELY! BE SURE TO FOLLOW ALL INSTRUCTIONS!

5) Level the ground so it is even with the bottom of the pool. The ground must be clear and level in the area.

6) Mark the ground where the four (4) posts will go. Figure #2 gives you the proper distances to place the posts. Again, check that you have the correct dimensions and enough clear and level area to properly install the enclosure. Dig four (4) holes that are 6" in diameter and 20" deep. Double check your distances when you are done.

7) You are now ready to do some partial assembly of the enclosure. Look at the four (4) posts. Familiarize yourself with which ones will go up against the pool or deck, and which ones will be on either side of the gate. The two (2) posts where the gate will go must be positioned so that the gate will open OUTWARD, away from the ladder. The gate must open to the right. Place the post with the threaded holes for the hinges on the right side of the opening.

8) Attach the rear fence section, which is 46 1/2" tall x 41" long, to the two rear posts, only if this is a deck ladder that you will be enclosing.

9) Attach the side fence sections, which are 51" tall x 66" long, to the two rear posts, and the two front posts.

10) Place the partly assembled enclosure into the four(4) post holes you dug out in step #6. Make sure all the dimensions are as indicated in figure #2.

11) Attach the hinges to the post and gate with the pre-threaded holes.

12) Make sure that all the posts and fence sections are securely connected and the measurements on your enclosure match the specifications in figure #2. Where necessary, use ropes and stakes to hold the posts in plumb position. Your ladder enclosure should be sitting in the four holes you dug, set up and ready for concrete.

13) Fill the four holes with concrete. Do not use concrete with calcium chloride. Each hole will use about 1/3rd cubic foot of concrete.

14) Re-measure all your posts and fence, making sure they are level, square, and plumb. **Do this now**, before the concrete starts to set.

15) Let the concrete set for 24 hours.

16) Mount the safety gravity latch.

17) Make sure that your gate can open and close easily and that it is clear of any obstructions. Make sure the latch works properly and that it is closing securely.

18) Using a philips head screw driver, adjust the hinges so that the gate closes securely on its own. This is done by tightening the philips head screws on the ends of the hinges.

19) Fasten the Placard sign to the top edge of the gate using self-tapping Tek screws. Repeat the process using the self-tapping Tek screws to attach the side of the Placard to the edge of the gate frame.